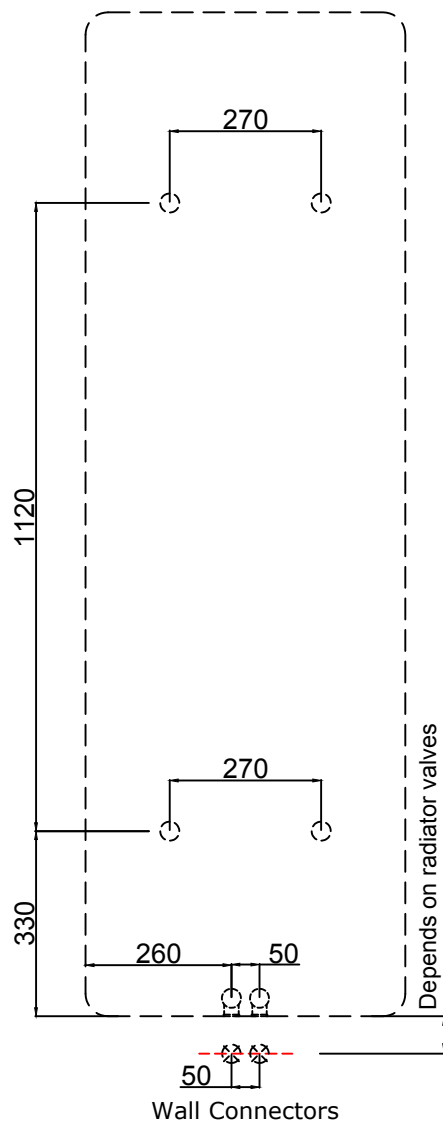
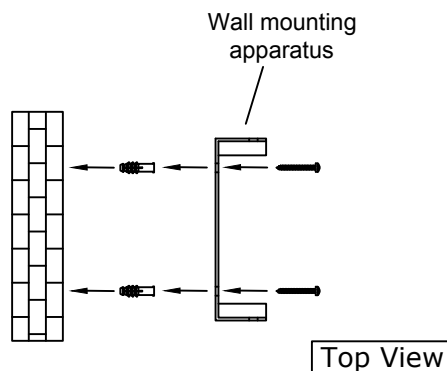
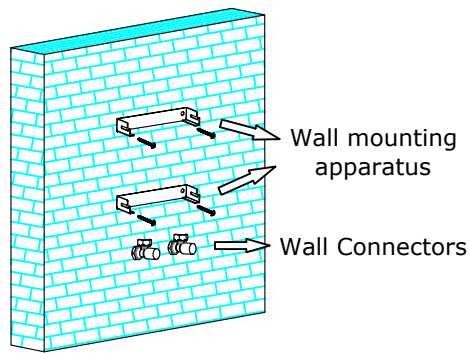


CALIGO 1790 x 570 - 75031.XX

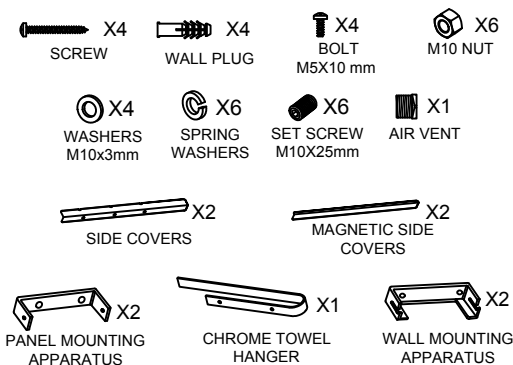
- 1 Drill the holes for the wall plugs with a \varnothing 10 mm drill bit as illustrated in the figure.



- 2 Fix the wall mounting apparatus on the wall as illustrated.

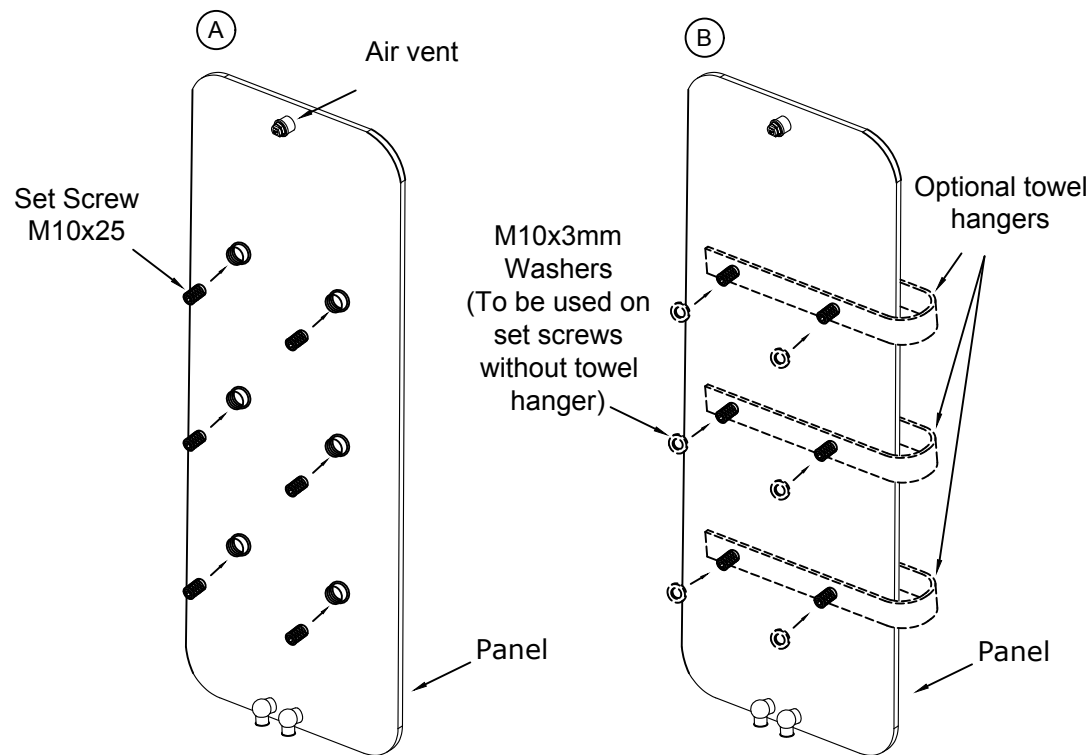


SUPPLIED INSTALLATION ACCESSORIES



- 3 Do not take off the protective material before the plumbing is completely finished.

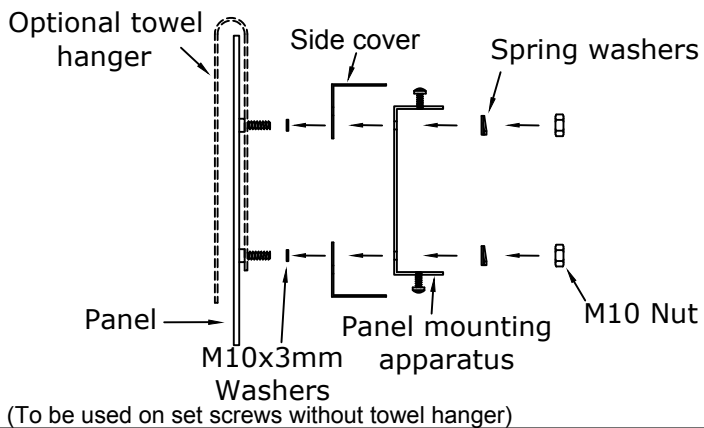
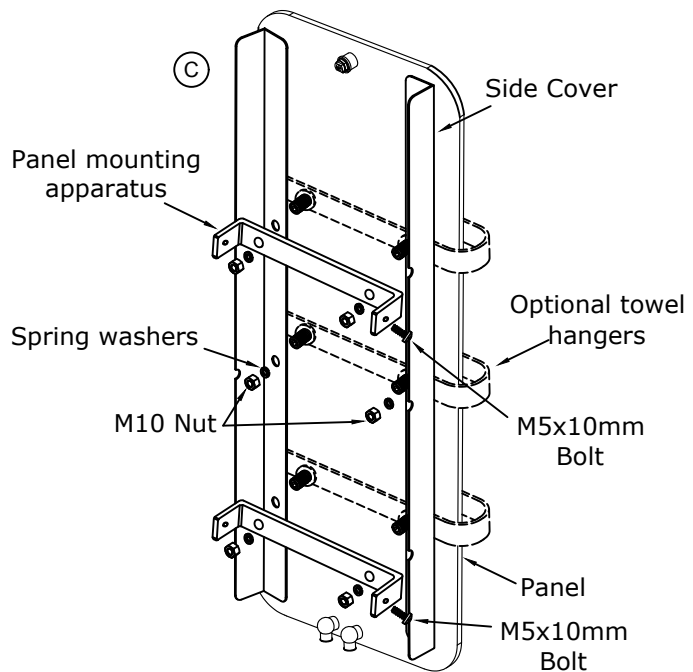
- (A) Insert the "Set Screws" into the nuts at the back of the product. Tighten them with the "Allen Key" supplied. Maximum tightening torque should not exceed 6 N-m.
- (B) Insert the "Towel Hangers" to the desired positions. The towel hangers can be used either left or right looking. Place the supplied "M10x3mm Washers" to the unused set screws to level them with the used ones.



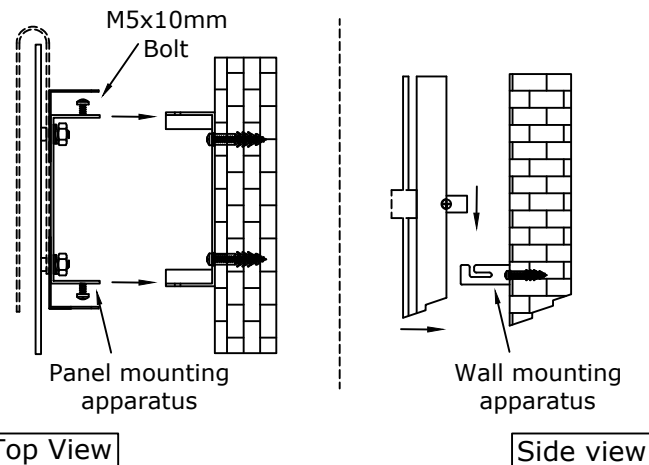
lineabeta®

CALIGO 1790 x 570 - 75031.XX

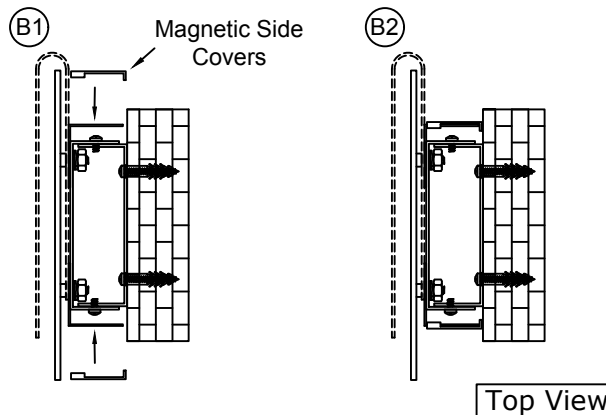
③ Place the "Side Covers" onto the set screws. Place the "Panel Mounting Apparatus" to the top and bottom positions. Insert the supplied "Spring Washers" and "M10 Nuts" to the set screws and tighten them with a suitable wrench. Tighten them with the "Allen Key" supplied. Maximum tightening torque should not exceed 10 N-m.



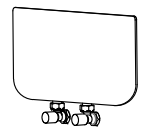
④ A Place the Product to its location by inserting the "Panel Mounting Apparatus" into the "Wall Mounting Apparatus". Adjust the required product distance from the wall and tighten the M5 bolts to fix it.



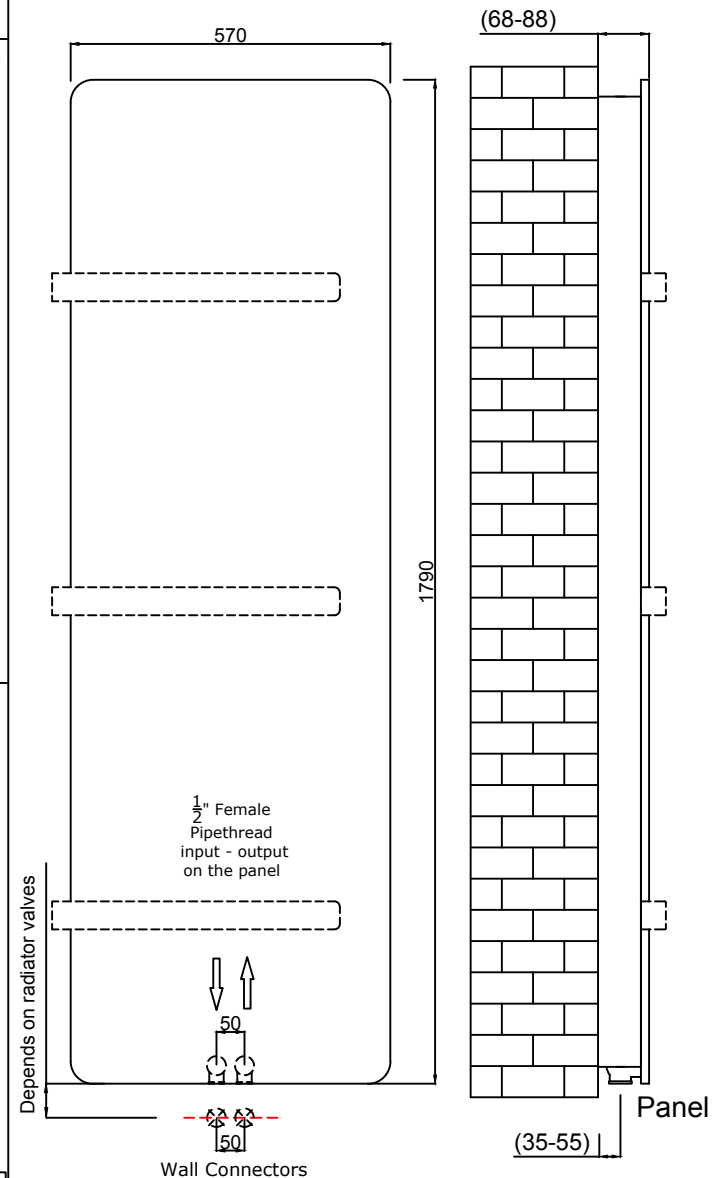
④ B Place the "Magnetic Side Covers" hooked side up onto the "Side Covers" to complete the fixing.



⑤ Complete plumbing connections as shown in the figure.



Plumbing Figure



Determine the position of the product according to the water inlet - outlet dimensions stated in the figure.

lineabeta®