

Gealuna 1000

Design: Studio Inda

A10150

Gealuna 1000 Towel holder A10150CR

INDA ACCESSORIES Gealuna 1000

Towel holder Cm37X5 H9 CR



To Activate the interactive 3D view, you must trust this document (see hint on the top) in Adobe Acrobat and click on the question mark.

3D VIEW



Moves you toward or away from objects in the scene when you drag vertically. You can also zoom with the hand tool by holding down Shift as you drag.

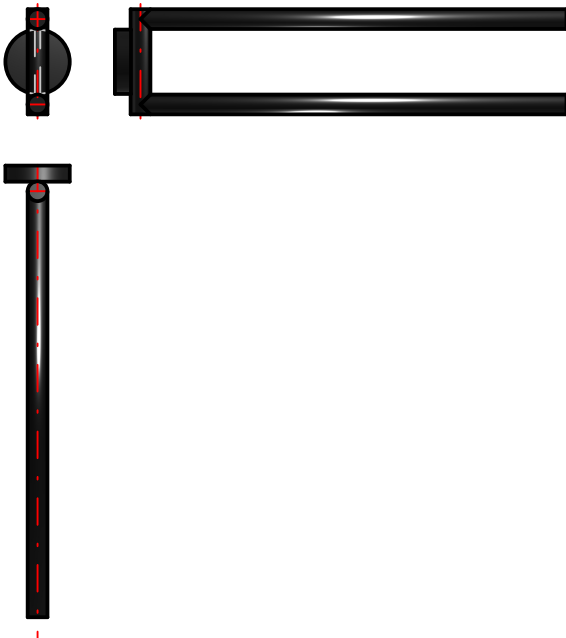


Moves the model vertically and horizontally only. You can also pan with the hand tool: Ctrl-drag.

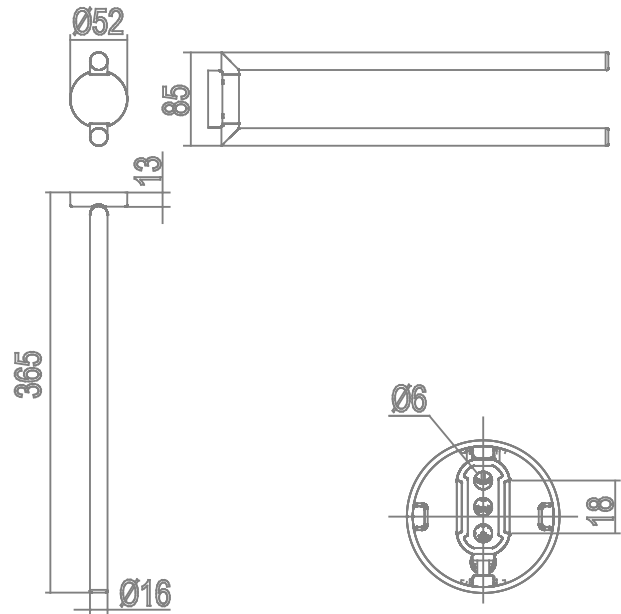


Turns 3D objects around relative to the screen. How the objects move depends on the starting view, where you start dragging and the direction in which you drag.

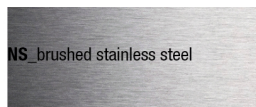
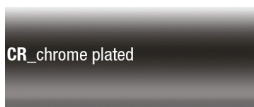
2D DERIVATION



TECHNICAL DRAWINGS



AVAILABLE FINISHES



Code	A10150CR
Material	Chrome-plated
	0
	0
Very short description 1	INDA Towel holder Cm37X5 H9
Very short description 2	Gealuna 1000 A10150 37X5 CR
Article description	INDA ACCESSORIES Gealuna 1000 Towel holder Cm37X5 H9 CR
International code	EAN-13:8021586269119
Height [cm]	9
Width [cm]	37
Depth [cm]	5
Weight [kg]	0.45
Series	Gealuna 1000
LINE	Towel holder
Model	A10150
Intrastat code	74182000
URL link web site of the article	https://www.inda.net/
Design	Studio Inda