

Gealuna 1000

Design: Studio Inda

A1020B

Gealuna 1000 Clothes hangers

A1020BCR
INDA ACCESSORIES Gealuna 1000

Clothes hangers Cm15X5 H5 CR



To Activate the interactive 3D view, you must trust this document (see hint on the top) in Adobe Acrobat and click on the question mark.

3D VIEW



Moves you toward or away from objects in the scene when you drag vertically. You can also zoom with the hand tool by holding down Shift as you drag.

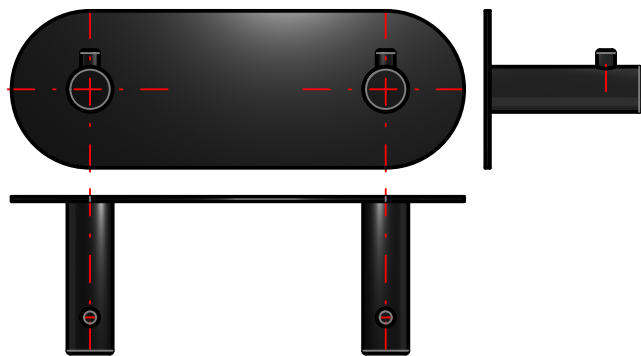


Moves the model vertically and horizontally only. You can also pan with the hand tool: Ctrl-drag.

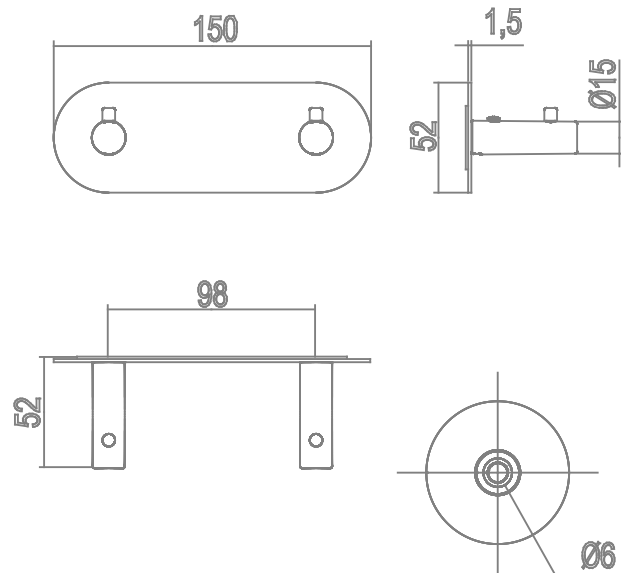


Turns 3D objects around relative to the screen. How the objects move depends on the starting view, where you start dragging and the direction in which you drag.

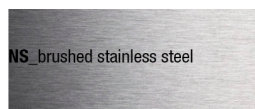
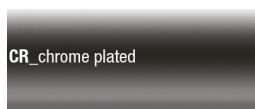
2D DERIVATION



TECHNICAL DRAWINGS



AVAILABLE FINISHES



Code	A1020BCR
Material [mm]	Chrome-plated
Very short description 1	INDA Clothes hangers Cm15X5 H5
Very short description 2	Gealuna 1000 A1020B 15X5 CR
Article description	INDA ACCESSORIES Gealuna 1000 Clothes hangers Cm15X5 H5 CR
International code	EAN-13:8021586269171
Height [cm]	5
Width [cm]	15
Depth [cm]	5
Weight [kg]	0.19
Series	Gealuna 1000
LINE	Clothes hangers
Model	A1020B
Intrastat code	74182000
Code description level 1	double
URL link web site of the article	https://www.inda.net/
Design	Studio Inda