

Gealuna 1000

Design: Studio Inda

A1031B

Gealuna 1000 Basket A1031BCR

INDA ACCESSORIES Gealuna 1000

Basket Cm21X21 H2 CR



To Activate the interactive 3D view, you must trust this document (see hint on the top) in Adobe Acrobat and click on the question mark.

3D VIEW



Moves you toward or away from objects in the scene when you drag vertically. You can also zoom with the hand tool by holding down Shift as you drag.



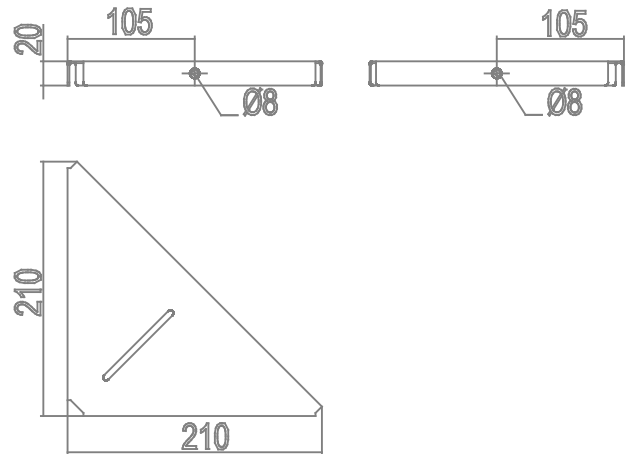
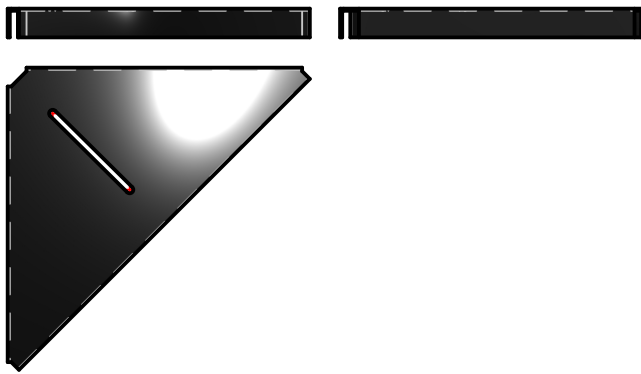
Moves the model vertically and horizontally only. You can also pan with the hand tool: Ctrl-drag.



Turns 3D objects around relative to the screen. How the objects move depends on the starting view, where you start dragging and the direction in which you drag.

2D DERIVATION

TECHNICAL DRAWINGS



AVAILABLE FINISHES



Code	A1031BCR
Material	Chrome-plated
Very short description 1	INDA Basket Cm21X21 H2
Very short description 2	Gealuna 1000 A1031B 21X21 CR
Article description	INDA ACCESSORIES Gealuna 1000 Basket Cm21X21 H2 CR
International code	EAN-13:8021586269270
HEIGHT [cm]	2
WIDTH [cm]	21
Depth [cm]	21
WEIGHT [kg]	0.445
Series	Gealuna 1000
LINE	Basket
Model	A1031B
Intrastat code	74182000
URL link web site of the article	https://www.inda.net/
Design	Studio Inda