

Gealuna 1000

Design: Studio Inda

A10950

Gealuna 1000 BIG HANDLE A10950CR

INDA ACCESSORIES Gealuna 1000 BIG
HANDLE Cm0.36X0.07 H0.05 CR



To Activate the interactive 3D view, you must trust this document (see hint on the top) in Adobe Acrobat and click on the question mark.

3D VIEW



Moves you toward or away from objects in the scene when you drag vertically. You can also zoom with the hand tool by holding down Shift as you drag.



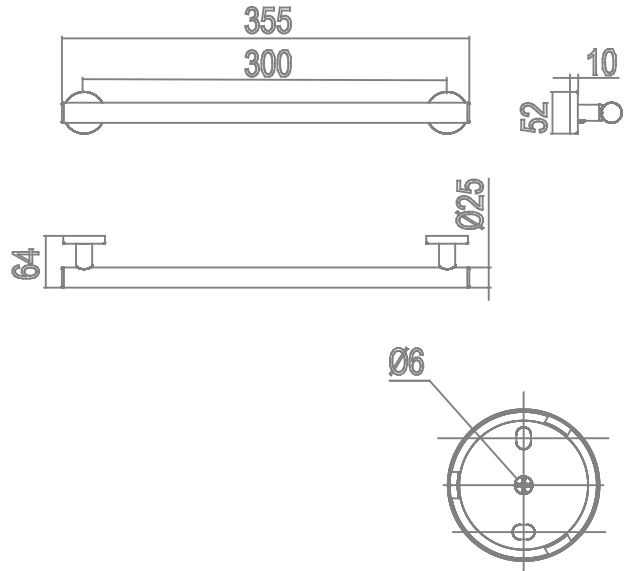
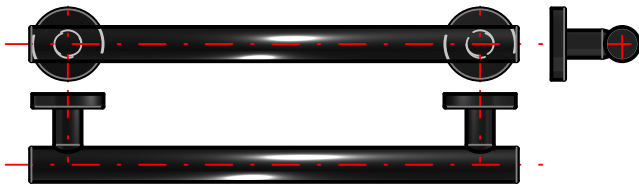
Moves the model vertically and horizontally only. You can also pan with the hand tool: Ctrl-drag.



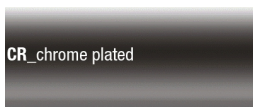
Turns 3D objects around relative to the screen. How the objects move depends on the starting view, where you start dragging and the direction in which you drag.

2D DERIVATION

TECHNICAL DRAWINGS



AVAILABLE FINISHES



Code	A10950CR
Material	Chrome-plated
Very short description 1	INDA BIG HANDLE Cm0.36X0.07 H0.05
Very short description 2	Gealuna 1000 A10950 0.36X0.07 CR
Article description	INDA ACCESSORIES Gealuna 1000 BIG HANDLE Cm0.36X0.07 H0.05 CR
International code	EAN-13:8021586269331
Height [m]	0.05
Width [m]	0.36
Depth [m]	0.07
Weight [kg]	0.51
Series	Gealuna 1000
LINE	Grab-bars
Model	A10950
Intrastat code	74182000
URL link web site of the article	https://www.inda.net/
Design	Studio Inda