

## Spare Parts

Design: Studio Inda

### R1800N001

Spare Parts Accessories Spare Parts x

Accessories R1800N001CR  
INDA ACCESSORIES Spare Parts

Accessories Spare Parts x Accessories

Cm6X0.8 H3 CR



To Activate the interactive 3D view, you must trust this document (see hint on the top) in Adobe Acrobat and click on the question mark.

**3D VIEW**



Moves you toward or away from objects in the scene when you drag vertically. You can also zoom with the hand tool by holding down Shift as you drag.



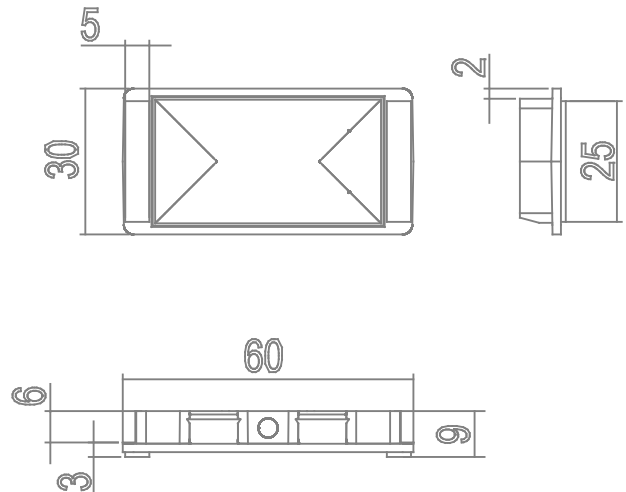
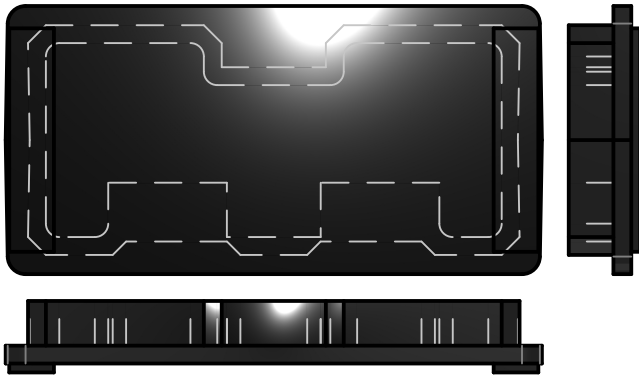
Moves the model vertically and horizontally only. You can also pan with the hand tool: Ctrl-drag.



Turns 3D objects around relative to the screen. How the objects move depends on the starting view, where you start dragging and the direction in which you drag.

## 2D DERIVATION

## TECHNICAL DRAWINGS



## AVAILABLE FINISHES



<b>Code</b>	R1800N001CR
<b>Material</b>	Chrome-plated
<b>Very short description 1</b>	INDA Spare Parts x Accessories Cm6X0.8 H3
<b>Very short description 2</b>	Spare Parts Accessories R1800N001 6X0.8 CR
<b>Article description</b>	INDA ACCESSORIES Spare Parts Accessories Spare Parts x Accessories Cm6X0.8 H3 CR
<b>International code</b>	EAN-13:8033163871998
<b>Height [cm]</b>	3
<b>Width [cm]</b>	6
<b>Depth [cm]</b>	0.8
<b>Weight [kg]</b>	0.06
<b>Series</b>	Spare Parts Accessories
<b>LINE</b>	Spare Parts Accessories
<b>Model</b>	R1800N001
<b>Intrastat code</b>	79070000
<b>URL link web site of the article</b>	<a href="https://www.inda.net/">https://www.inda.net/</a>
<b>Design</b>	Studio Inda