

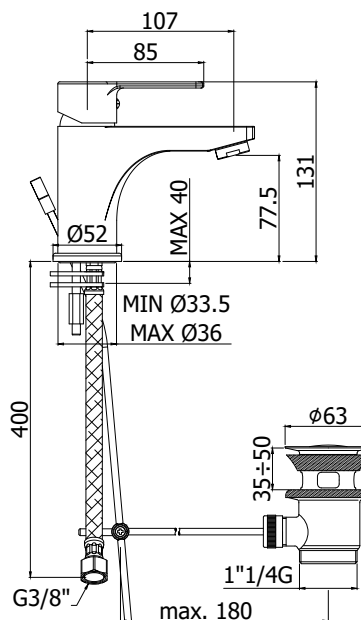
COLLECTION

red

PRODUCT IMAGE



TECHNICAL DRAWING



DESCRIPTION

Wash basin mixer complete with:

- Energy & Water Saving cartridge
- aerator M24x1 with flow reducer
- set of 2 stainless steel hoses 3/8"G

ART.

RED 071CR-EWS

without pop up waste

RED 075CR-EWS

with 1"1/4G pop up waste

FINISHES

RED

CR - chrome plated

DOCUMENTATION



FLOW DIAGRAM
1



INSTALLATION
INSTRUCTIONS

TECHNOLOGIES



COLD
START



Energy
saving



Water saving



PRODUCT PAGE

www.paffoni.it